

Part Number: PL-WMxUzzyy



**FEATURES:**

- wall mount cabinet series offers an economical and cost effective solution for branching
- compliant with ANSI/EIA RS-310-D, IEC297-2, DIN41491.Part1, part7, DIN 4144 standards
- easy to install the front door
- cable entry from top and bottom
- up to 60 kgs static loading capacity
- toughened glass front door with over 180° angle
- 24 sets cage nuts (less than 12U : 12 sets)
- available for 2 fans pre-installation on the top cover (optional)

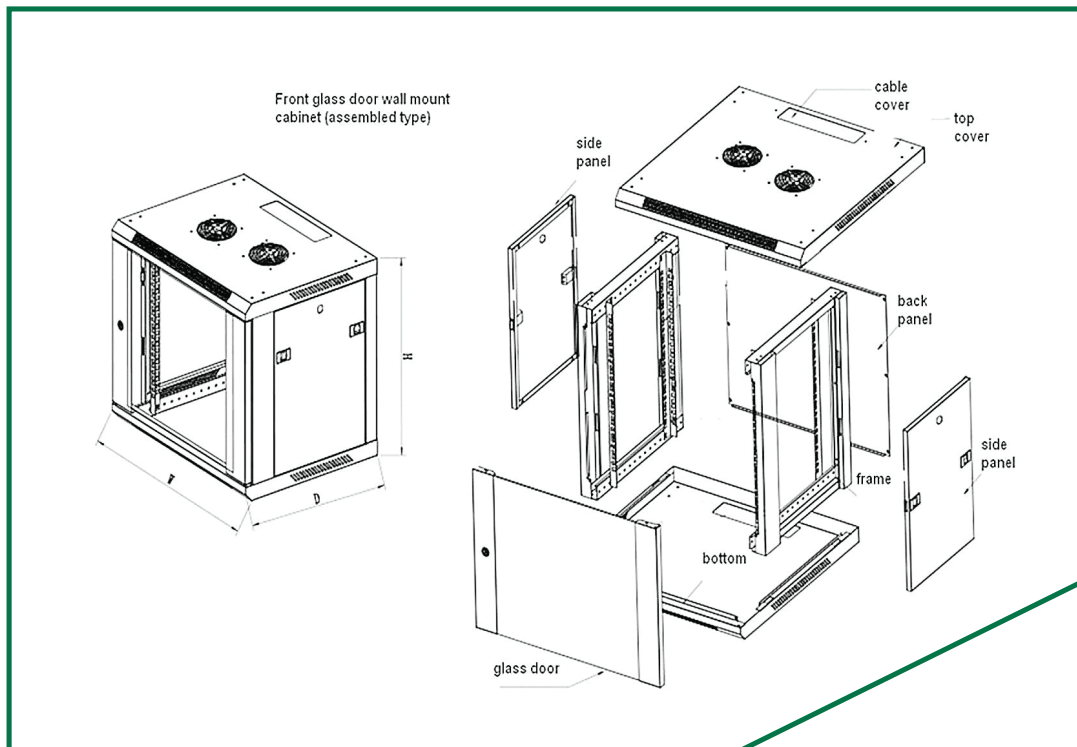
**Physical Characteristics (Overall):**

Wall mount network cabinet (single section)	
Main Material	SPCC cold rolled steel
Thickness	Mounting profile 1.5 , Other 1.0 or 0.8mm
Surface Finish	Degreasing, pickling, phosphoric, powder coated
Degree of Protection	IP20
Loading Capacity	Static loading: 60KG
Color	Black RAL9004, Grey RAL7035

Part Number: PL-WMxUzzyy

Main Parts:

S/N	Specification	Quantity	Unit	Material mm	Surface finish
1	Frame	2	Piece	SPCC Cold rolled steel 1.2	Powder coated
2	Side panel	2	Piece	SPCC Cold rolled steel 1.0 or 0.8	Powder coated
3	Back panel	1	Piece	SPCC Cold rolled steel 1.0 or 0.8	Powder coated
4	Bottom panel	1	Piece	SPCC Cold rolled steel 1.0 or 0.8	Powder coated
5	Top cover	1	Piece	SPCC Cold rolled steel 1.0 or 0.8	Powder coated
6	Front glass door	1	Piece	5MM Toughened glass	—
7	Mounting profile	4	Piece	SPCC Cold rolled steel 1.5	Powder coated
8	Cable cover	2	Piece	SPCC Cold rolled steel 1.0 or 0.8	Powder coated
9	Round lock	3	Piece	—	—
10	M6 screw	12/20	Set	20 Set for 15U and 18U	—
11	Allen wrench	1	Piece	—	—
12	L shape rail	2	Piece	SPCC Cold rolled steel 1mm	Powder coated



Part Number: PL-WMxUzzyy

**Dimensions For Thickness 1mm :**

P/N	Capacity(U)	Width(mm)	Depth(mm)	Height(mm)	
PL-WM3U5335	4U	530	350	280	
PL-WM4U5335			450		
PL-WM4U6045			450		
PL-WM6U6045	6U	600	450	370	
PL-WM6U6060			600		
PL-WM9U6045			450		
PL-WM9U6060	9U		600	500	
PL-WM12U6045			450		
PL-WM12U6060			600		
PL-WM15U6045	12U	600	450	635	
PL-WM15U6060			600		
PL-WM18U6045			450		
PL-WM18U6060	15U		600	770	
PL-WM18U6045			450		
PL-WM18U6060			600		
PL-WM18U6045	18U		600	450	900
PL-WM18U6060				600	

**Dimensions For Thickness 0.8mm :**

P/N	Capacity(U)	Width(mm)	Depth(mm)	Height(mm)
PL-WE3U5335	4U	530	350	280
PL-WE4U5335			450	
PL-WE4U6045			450	
PL-WE6U6045	6U	600	450	370
PL-WE6U6060			600	
PL-WE9U6045			450	
PL-WE9U6060	9U		600	500
PL-WE12U6045			450	
PL-WE12U6060			600	
PL-WE12U6045	12U	600	450	635
PL-WE12U6060			600	