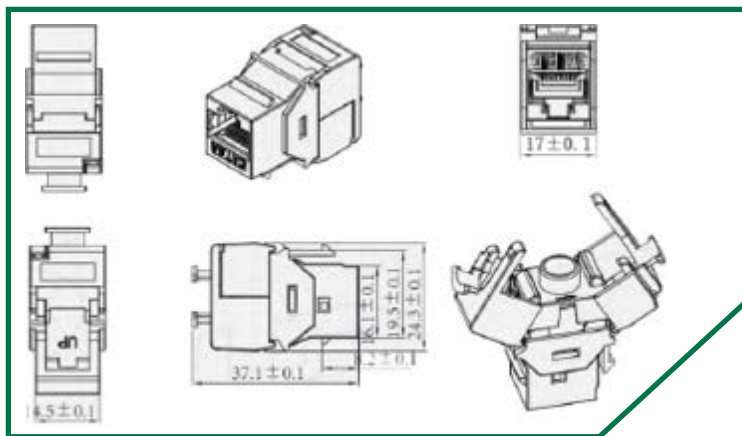
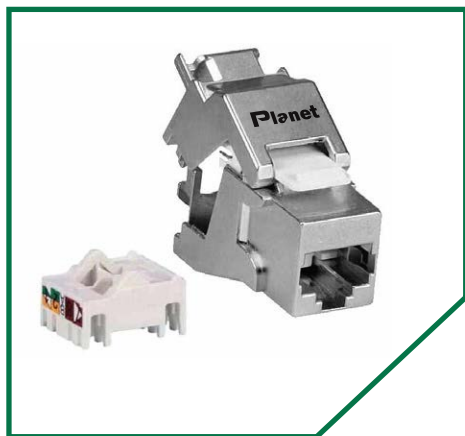


Part Number: PL-KE6STL



FEATURES:

Cat.6 STP Toolless Keystone Jack

- Conform to TIA/EIA-568.2-D, ISO/IEC 11801-1 and EN50173-1 category 6 specification
- Supports T568 A&B wiring & easy installation
- Termination lid ensures excellent strain relief, cable bend radius control and secure fixing
- Accepts 22-24 AWG solid cables
- IDC contacts: high performance copper alloy with 50µ inch gold plating over nickel in contact area
- Housing material: high impact UL 94V-0 ABS
- Insertion life: 750 plug insertions minimum
- RoHS compliant

CHARACTERISTICS:

RJ45 Housing	PC
IDC House	PC
RJ45 Contact material & finished	Phosphor Bronze with 50-60" Nickel plated Contact area: Min. 3mm 3" Gold plated
IDC Terminal material & finished	Phosphor Bronze with 50" Tin-Lead plated. over 50-60 " Nickel plated 110 tool compatible Use for 23-24AWG stranded and solid wire
Property	The IDC color combine
Insertion Force	900 grams for 8 contacts
Retention Strength	7.7 kgs between jack and plug
Operation Temperature	-30° C to 70° C
Jack Durability	Jack: 750 cycles Plug-Jack mating and unmating test. Insertion cycles at 20 cycles/minute max. Contact resistance test per 100 cycles
IDC Durability	Max. 200 pinching times
Standards compliant	Performance is in compliance with the TIA/EIA-568-C2

Part Number: PL-KE6STL

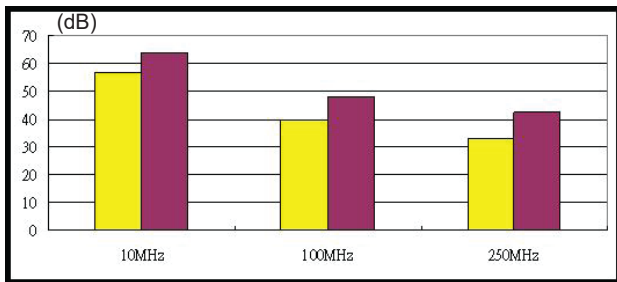
APPLICATIONS:

- 1000BASE-TX
- 1000BASE-T
- 100BASE-TX Fast Ethernet
- 10BASE-T Ethernet
- Voice

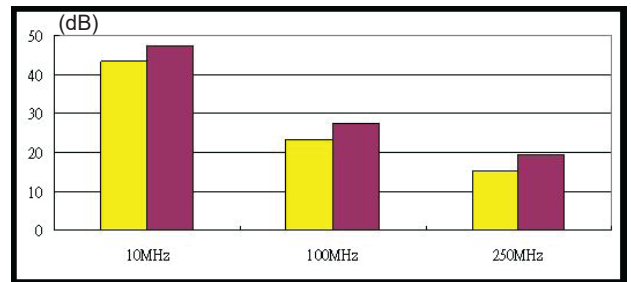
TYPICAL PERFORMANCE:

Cat.6 STP

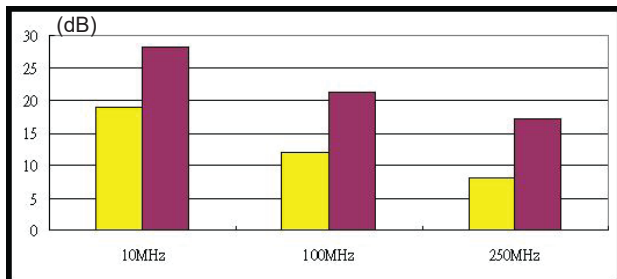
NEXT



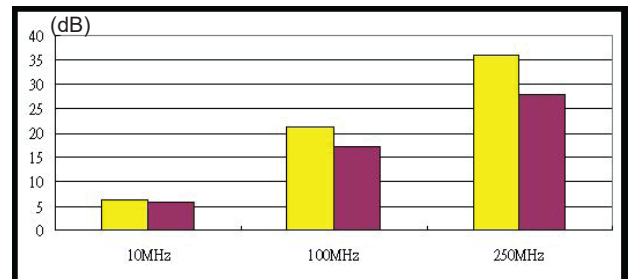
ELFEXT



Return Loss



Insertion Loss



Cat.6 Limit
 Typical