

Planet

Structure Cabling Systems



WELL EXPERIENCED

More than 13 years experience in networking industry



PROFESSIONAL TEAM

We have professional sales team to offer fast response and engineers to support different solutions



ABUNDANT PRODUCTS

Integrated and completed product lines for networking and cabling items



STANDARDS COMPLIANCE

ANSI/EIA RS-310-D, IEC2-297, DIN43494/43491, GB/T92-3047.2 Metric & ETSI standard



Part Number: PL-WMxUzzyy



FEATURES:

- wall mount cabinet series offers an economical and cost effective solution for branching
- compliant with ANSI/EIA RS-310-D, IEC297-2, DIN41491.Part1, part7, DIN 4144 standards
- easy to install the front door
- cable entry from top and bottom
- up to 60 kgs static loading capacity
- toughened glass front door with over 180° angle
- 24 sets cage nuts (less than 12U : 12 sets)
- available for 2 fans pre-installation on the top cover (optional)

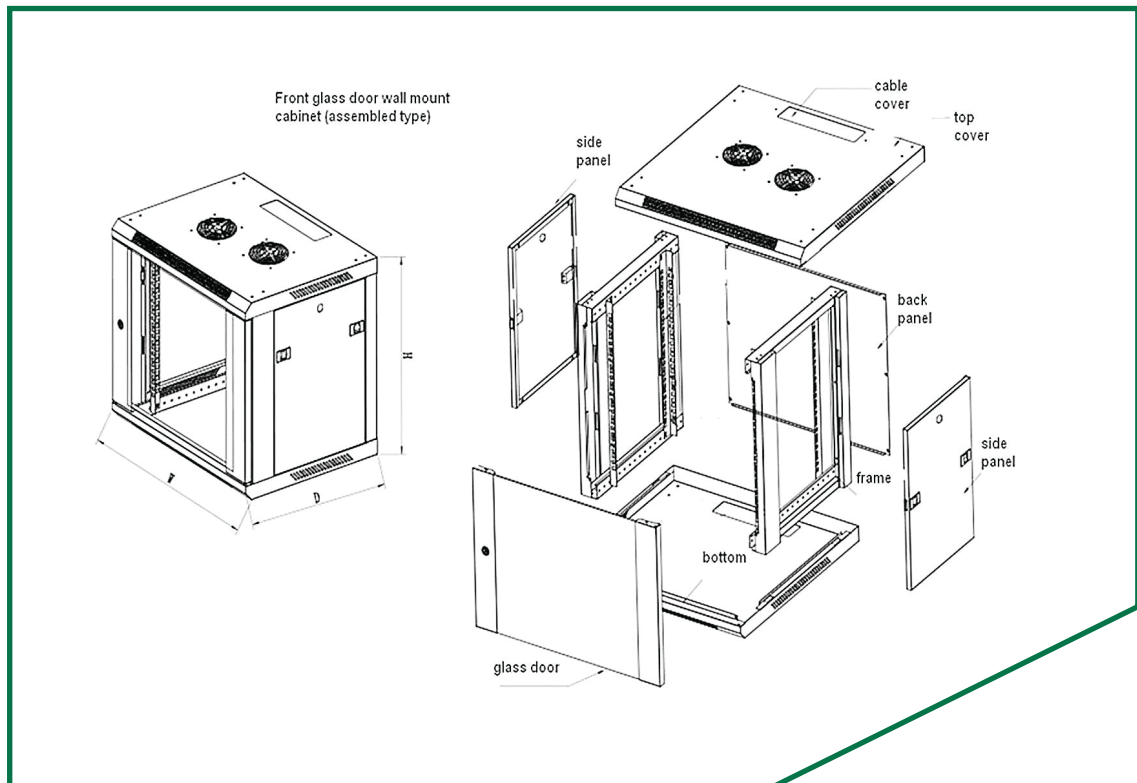
Physical Characteristics (Overall):

Wall mount network cabinet (single section)	
Main Material	SPCC cold rolled steel
Thickness	Mounting profile 1.5mm, mounting angle 1.2mm
Surface Finish	Degreasing, pickling, phosphoric, powder coated
Degree of Protection	IP20
Loading Capacity	Static loading: 60KG
Color	Black RAL9004, Grey RAL7035

Part Number: PL-WMxUzzyy

Main Parts:

S/N	Specification	Quantity	Unit	Material	Surface finish	Remark
1	Frame	2	Piece	SPCC Cold rolled steel 1.2	Powder coated	—
2	Side panel	2	Piece	SPCC Cold rolled steel 1.0	Powder coated	—
3	Back panel	1	Piece	SPCC Cold rolled steel 1.0	Powder coated	—
4	Bottom panel	1	Piece	SPCC Cold rolled steel 1.0	Powder coated	—
5	Top cover	1	Piece	SPCC Cold rolled steel 1.0	Powder coated	—
6	Front glass door	1	Piece	5MM Toughened glass	—	—
7	Mounting profile	4	Piece	SPCC Cold rolled steel 1.5	Powder coated	—
8	Cable cover	2	Piece	SPCC Cold rolled steel 1.0	Powder coated	—
9	Round lock	1	Piece	—	—	Side locks optional
10	M6 screw	12/20	Set	—	—	20pcs for 15U & 18U
11	Allen wrench	1	Piece	—	—	—



Part Number: PL-WMxUzzyy

Dimensions:

Part NO.	Capacity(U)	Width(mm)	Depth(mm)	Height(mm)
PL-WM4U5335	4U	530	350	280
PL-WM4U6045			450	
PL-WM6U6045	6U	600	450	370
PL-WM6U6060			600	
PL-WM9U6045	9U	600	450	500
PL-WM9U6060			600	
PL-WM12U6045	12U	600	450	635
PL-WM12U6060			600	
PL-WM15U6045	15U	600	450	770
PL-WM15U6060			600	
PL-WM18U6045	18U	600	450	900
PL-WM18U6060			600	



Part Number: PL-WDxUzzyy



FEATURES:

- compliant with ANSI/EIA RS-310-D, IEC297-2, DIN41491.Part1, part7, DIN 4144 standards
- 19" standard installation, double section welded frame structure.
- Assembled frame structure, easy handling, transportation, to maximize save shipping cost.
- Standing or wall mounting installation.
- Easy operation and maintaining at the back.
- Easy mounting installation (patent).
- Removable side panels, side locks optional.
- Knock out hole for entering cable on both of top cover and bottom panel.
- Toughened glass front door, turning angle is over 180 degrees.
- Turning angle of rear door is over 90 degrees.

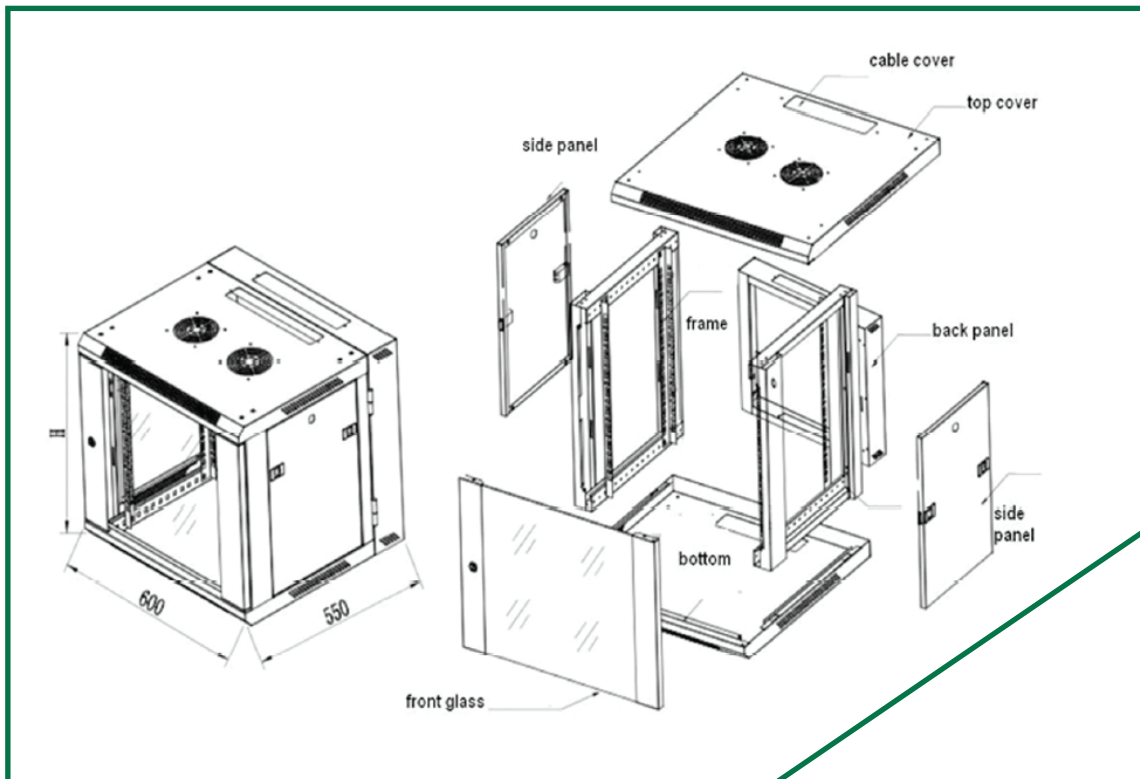
Physical Characteristics (Overall):

Wall mount network cabinet (double section)	
Main Material	SPCC cold rolled steel
Thickness	Mounting profile 1.5mm, mounting angle 1.2mm
Surface Finish	Degreasing, pickling, phosphoric, powder coated
Degree of Protection	IP20
Loading Capacity	Static loading: 60KG
Color	Black RAL9004, Grey RAL7035

Part Number: PL-WDxUzzyy

Main Parts:

S/N	Specification	Quantity	Unit	Material	Surface finish	Remark
1	Frame	2	Piece	SPCC Cold rolled steel 1.2	Powder coated	—
2	Side panel	2	Piece	SPCC Cold rolled steel 1.0	Powder coated	—
3	Back panel	1	Piece	SPCC Cold rolled steel 1.0	Powder coated	—
4	Bottom panel	1	Piece	SPCC Cold rolled steel 1.0	Powder coated	—
5	Top cover	1	Piece	SPCC Cold rolled steel 1.0	Powder coated	—
6	Front glass door	1	Piece	5MM Toughened glass	—	—
7	Mounting profile	4	Piece	SPCC Cold rolled steel 1.5	Powder coated	—
8	Cable cover	2	Piece	SPCC Cold rolled steel 1.0	Powder coated	—
9	Round lock	1	Piece	—	—	Side locks optional
10	M6 screw	12/20	Set	—	—	20pcs for 15U & 18U
11	Allen wrench	1	Piece	—	—	—



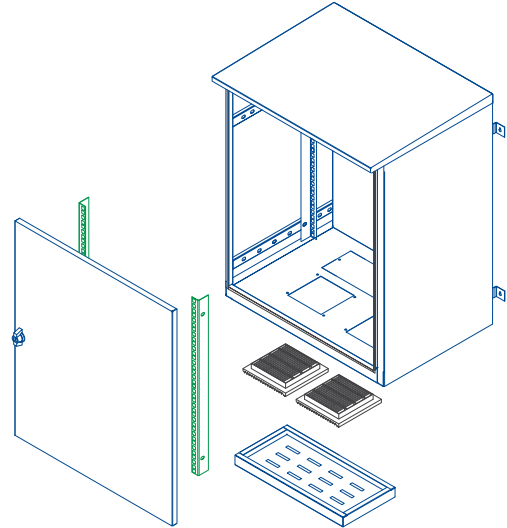
Part Number: PL-WDxUzzyy

Dimensions:

Part NO.	Capacity(U)	Width(mm)	Depth(mm)	Height(mm)
PL-WD6U6055	6U	600	550	370
PL-WD6U6060			600	
PL-WD9U6055	9U		550	500
PL-WD9U6060			600	
PL-WD12U6055	12U		550	635
PL-WD12U6060			600	
PL-WD15U6055	15U		550	770
PL-WD15U6060			600	
PL-WD18U6055	18U		550	900
PL-WD18U6060			600	



Part Number: PL-WOxUzzyy



FEATURES:

- Conforms to DIN 41494 or Equivalent EIA /ISO/ EN/ CEA Standard Adjustable mounting depth
- 2 No Adjustable, 19" verticals with Punched 10 mm Square Hole and Universal 12.7 mm -15.875mm-15.875 mm alternating hole pattern offers greater mounting flexibility, maximizes usable mounting space
- State-of-the-art manufacturing methods provide the best product quality and fastest delivery in the industry
100% assured compatibility with all equipments conforming to DIN 41494 (General industrial standard for equipments).
- Special Dual Coat Powder coated finish with seven-tank pretreatment process meeting ASTM standard to Meet Harsh Out door Requirement.
- Grounding & Bonding options

Physical Characteristics (Overall):

Technical Data:

Basic Frame	Steel
Construction	Welded
Top & Bottom Cover	Welded to frame with cable entry exit cut outs in Bottom.
Front Door	Lockable Metal Plain Door
19" Mounting Angle	Formed Steel
Std. Equipment Mounting	DIN Std. 10mm Sq. Slots
Standard Finish	Special Dual Coat Powder coated
Standard Colour	Grey & Off White OR Black
Rack Standard	Conforms to DIN 41494 or equivalent standard
Static Load	30 Kg (Uniformly distributed in U Space) / 2KG Per U

Part Number: PL-WOxUzzyy

Dimensions:

Capacity	H	h	W	w	D	d
6U/600X600	347	6U	600	19"	600	580
9U/600X600	481	9U	600	19"	600	580
12U/600X600	613	12U	600	19"	600	580
15U/600X600	749	15U	600	19"	600	580

Part Number:

Part Number	Description
PL-WO4U6060	Wall Mount Cabinet 6U (W600 x D600)mm
PL-WO6U6060	Wall Mount Cabinet 9U (W600 x D600)mm
PL-WO9U6060	Wall Mount Cabinet 12U (W600 x D600)mm
PL-WO12U6060	Wall Mount Cabinet 15U (W600 x D600)mm





 **Planet Structure Cabling Systems Inc.**

 **Montreal, CANADA**

 **info@planet-ca.com**

 **+1 438 990 0820**



www.planet-ca.com