

Planet

Structure Cabling Systems



WELL EXPERIENCED

More than 13 years experience
in networking industry



PROFESSIONAL TEAM

We have professional sales team
to offer fast response and engineers
to support different solutions



ABUNDANT PRODUCTS

Integrated and completed
product lines
for networking and cabling items



STANDARDS COMPLIANCE

ANSI/EIA RS-310-D, IEC2-297,
DIN43494/43491,
GB/T92-3047.2 Metric & ETSI
standard



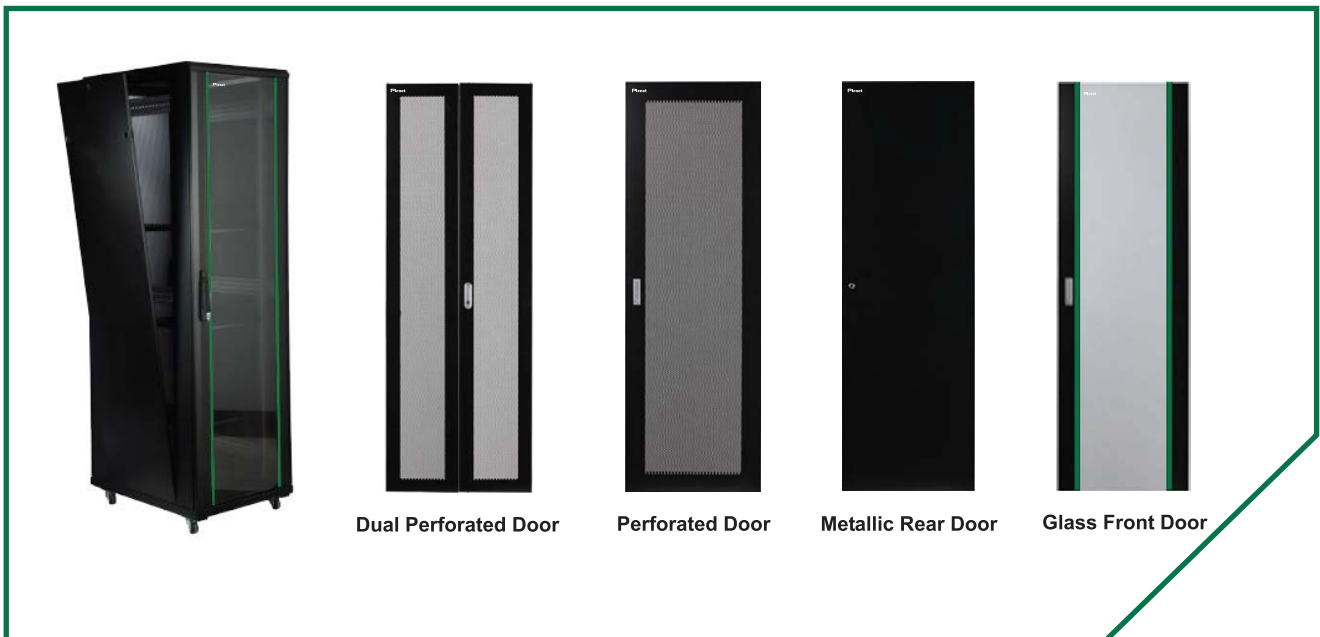
Part Number: PL-FyUzz



FEATURES:

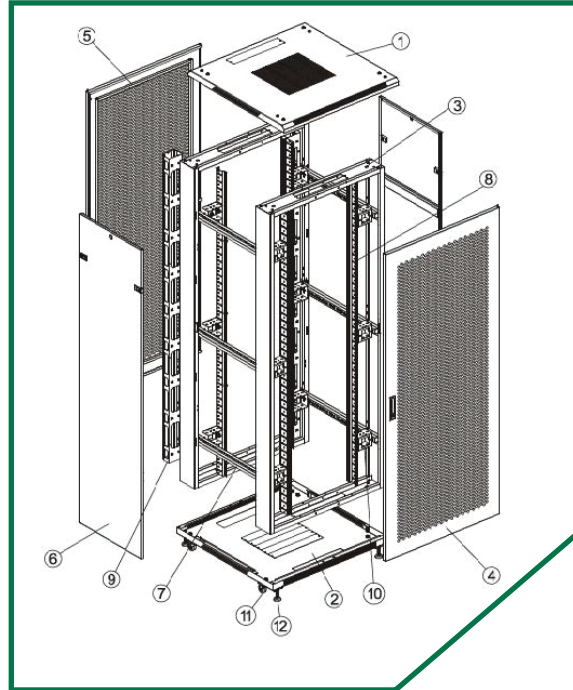
- compliant with ANSI/EIA RS-310-D, IEC297-2, DIN41491.Part1, part7, DIN 4144 standards
- connected by four corner to ensure the stability
- cable entry from the top cover and bottom panel
- removable side doors for easy installation and maintenance
- 4 pcs of M12 adjustable feet and 4 pcs of 2" heavy duty castors included
- 1 pair of vertical cable management included for 800mm depth cabinet
- up to 800 kgs static loading capacity with adjustable feet
- Optional Fan unit:
 - (2 fans for 600mm depth cabinet)
 - (4 fans for 800mm depth cabinet)
 - (4 fans for 1000mm depth cabinet)

OPTIONAL DOORS:



Part Number: PL-FyUzz

Installation in Structure



Main Parts:

S/N	Description	Quantity	Unit	Material	Surface finish	Remark
1	Top cover	1	Piece	SPCC cold rolled steel 1.2	Powder coated	—
2	Frame	2	Piece	SPCC Cold rolled steel 1.5	Powder coated	—
3	Front door	1	Piece	5MM Toughened glass	Powder coated	—
4	Side panel	2	Piece	SPCC Cold rolled steel 1.2	Powder coated	steel door
5	Rear door	1	Piece	SPCC Cold rolled steel 1.2	Powder coated	steel door
6	Bottom panel	1	Set	SPCC Cold rolled steel 1.2	Powder coated	—
7	Mounting angle	4/6	Piece	SPCC Cold rolled steel 1.5	Powder coated	4pcs for lower 27U
8	Mounting profile	4	Piece	SPCC Cold rolled steel 2.0	Powder coated	—
9	Spacer	8/12	Piece	SPCC Cold rolled steel 1.2	Powder coated	For 800mm width cabinet only
10	M6 screw	20/40	Set	—	—	40pcs for over 32U
11	Spring lock	2	Piece	—	—	With 4 keys
12	2.0" heavy duty castor	4	Piece	—	—	—
13	Adjustable feet	4	Piece	—	—	—
14	Allen wench	1	Piece	—	—	—

Remark: width 800mm and above 32U Cabinets with 12 spacer, lower 32U with 8 spacer

Part Number: PL-FyUzz

Dimensions:

Part NO.	Capacity(U)	Width(mm)	Depth(mm)	Height(mm)
PL-Fx22U66	22U	600	600	1166
PL-Fx22U68			800	
PL-Fx22U61			1000	
PL-Fx22U88		800	800	
PL-Fx22U81			1000	
PL-Fx27U66	27U	600	600	1388
PL-Fx27U68			800	
PL-Fx27U61			1000	
PL-Fx27U88		800	800	
PL-Fx27U81			1000	
PL-Fx32U66	32U	600	600	1610
PL-Fx32U68			800	
PL-Fx32U61			1000	
PL-Fx32U88		800	800	
PL-Fx32U81			1000	
PL-Fx37U66	37U	600	600	1833
PL-Fx37U68			800	
PL-Fx37U61			1000	
PL-Fx37U88		800	800	
PL-Fx37U81			1000	
PL-Fx42U66	42U	600	600	2055
PL-Fx42U68			800	
PL-Fx42U61			1000	
PL-Fx42U88		800	800	
PL-Fx42U81			1000	
PL-Fx47U81	47U		1000	2277

For doors material substitute “x” in PN

H= perforated front door + metallic rear door

G= glass front door + metallic rear door

K= glass front door + perforated rear door

P= dual perforated door / front & back

S= perforated front door + dual perforated rear door



 **Planet Structure Cabling Systems Inc.**

 **Montreal, CANADA**

 **info@planet-ca.com**

 **+1 438 990 0820**



www.planet-ca.com