

Planet

Structure Cabling Systems



WELL EXPERIENCED

More than 13 years experience
in networking industry



PROFESSIONAL TEAM

We have professional sales team
to offer fast response and engineers
to support different solutions



ABUNDANT PRODUCTS

Integrated and completed
product lines
for networking and cabling items



STANDARDS COMPLIANCE

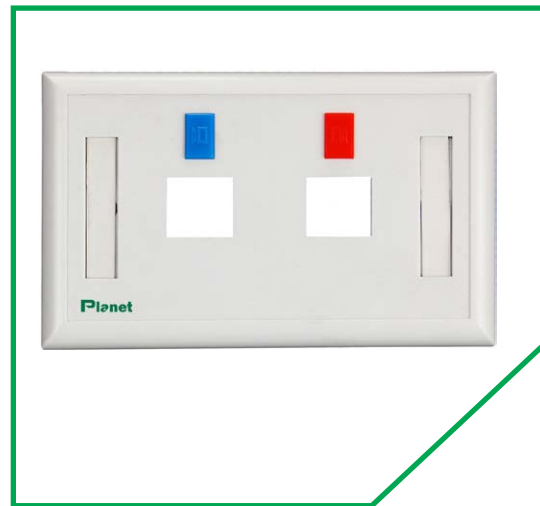
ANSI/EIA RS-310-D, IEC2-297,
DIN43494/43491,
GB/T92-3047.2 Metric & ETSI
standard



Part Number: 1 Port :PL-FP1U9 / 2 Port : PL-FP2U9

Product Description:

Faceplate 90D USA Type 70×115mm



Technical Specifications

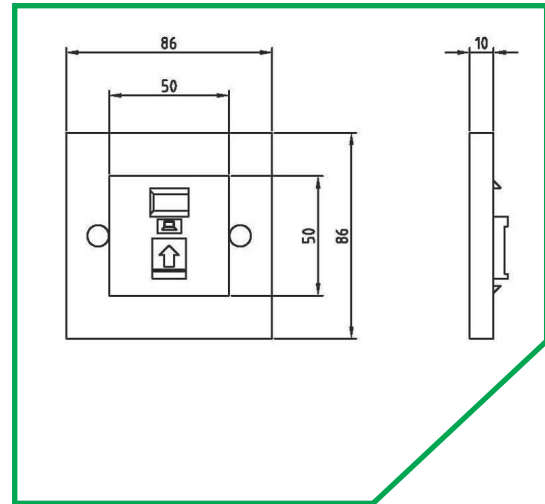
Material	ABS94 V-0
Thepla tesiz e	70*115mm
OperatingTemperature	-10°Cto+60°C
FacePlate Type	90D Euro style
Plug/JackCompatibility	RJ11, RJ45
ULFlammability	UL-94V0

Part Number: 1 Port :PL-FP1P4 / 2 Port : PL-FP2P4

Product Description:

Faceplate Euro 86*86mm 45D(1-port, 2-port)

DRAWING:



Technical Specifications

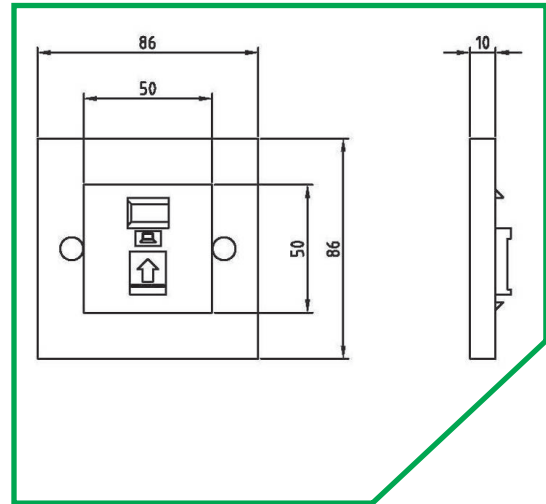
Material	ABS94 V-0
Thepla tesis e	86*86 mm
OperatingTemperature	-10°Cto+60°C
FacePlate Type	45D Euro style
Plug/JackCompatibility	RJ11, RJ45
ULFlammability	UL-94V0

Part Number: 1 Port :PL-FP1P9 / 2 Port : PL-FP2P9

Product Description:

Faceplate 86*86mm 90D(1-port, 2-port)

DRAWING:



Technical Specifications

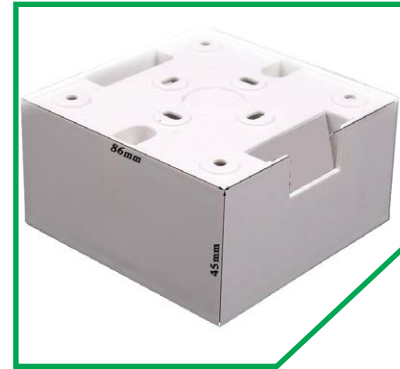
Material	ABS 94V-0
Thepla tesiz e	86*86mm
OperatingTemperature	-10°C to +60°C
FacePlate Type	90D Euro style
Plug/JackCompatibility	RJ11 , RJ45
ULFlammability	UL-94V0

Part Number: PL-BB86

Product Description:

Back Box, 86*86*45mm

DRAWING:



Technical Specifications:

Material	ABS 94V-0
The plate size	86*86mm
Operating Temperature	-10°C to +60°C
Face Plate Type	All 86mm types
Colour	White



 **Planet Structure Cabling Systems Inc.**

 **Montreal, CANADA**

 **info@planet-ca.com**

 **+1 438 990 0820**



www.planet-ca.com