

Part Number: PL-WMxUzzyy



FEATURES:

- wall mount cabinet series offers an economical and cost effective solution for branching
- compliant with ANSI/EIA RS-310-D, IEC297-2, DIN41491.Part1, part7, DIN 4144 standards
- easy to install the front door
- cable entry from top and bottom
- up to 60 kgs static loading capacity
- toughened glass front door with over 180° angle
- 24 sets cage nuts (less than 12U : 12 sets)
- available for 2 fans pre-installation on the top cover (optional)

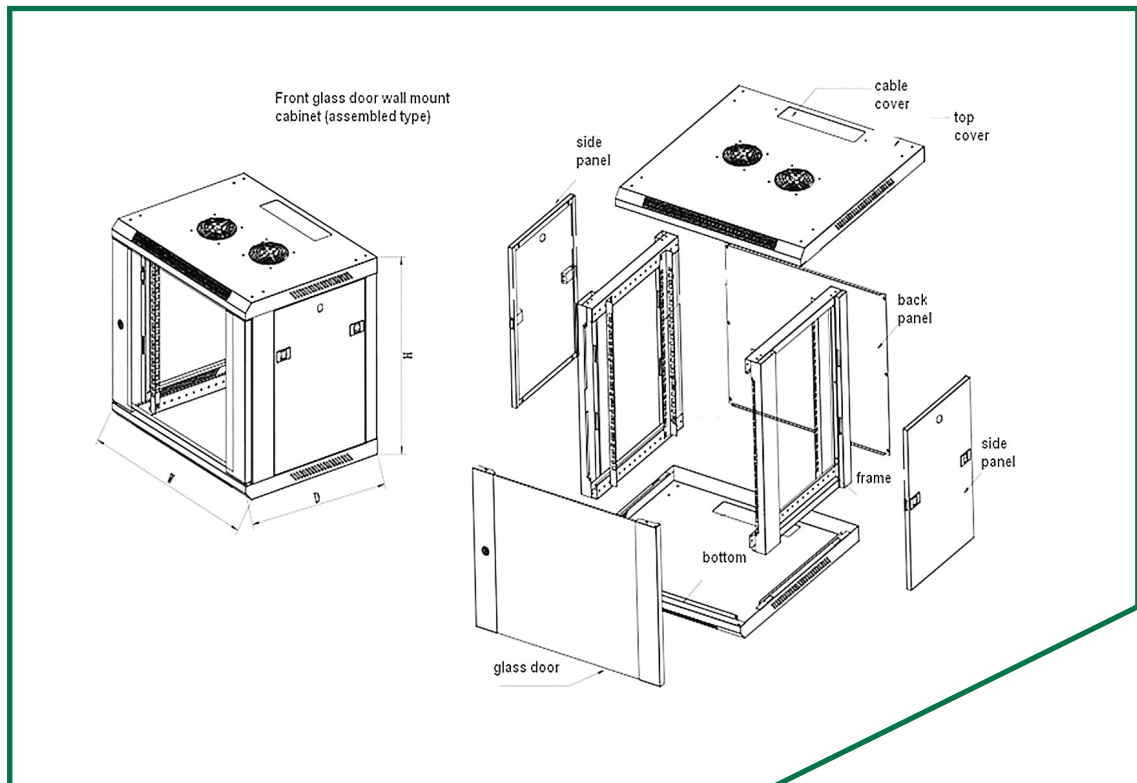
Physical Characteristics (Overall):

Wall mount network cabinet (single section)	
Main Material	SPCC cold rolled steel
Thickness	Mounting profile 1.5mm, mounting angle 1.2mm
Surface Finish	Degreasing, pickling, phosphoric, powder coated
Degree of Protection	IP20
Loading Capacity	Static loading: 60KG
Color	Black RAL9004, Grey RAL7035

Part Number: PL-WMxUzzyy

Main Parts:

S/N	Specification	Quantity	Unit	Material	Surface finish	Remark
1	Frame	2	Piece	SPCC Cold rolled steel 1.2	Powder coated	—
2	Side panel	2	Piece	SPCC Cold rolled steel 1.0	Powder coated	—
3	Back panel	1	Piece	SPCC Cold rolled steel 1.0	Powder coated	—
4	Bottom panel	1	Piece	SPCC Cold rolled steel 1.0	Powder coated	—
5	Top cover	1	Piece	SPCC Cold rolled steel 1.0	Powder coated	—
6	Front glass door	1	Piece	5MM Toughened glass	—	—
7	Mounting profile	4	Piece	SPCC Cold rolled steel 1.5	Powder coated	—
8	Cable cover	2	Piece	SPCC Cold rolled steel 1.0	Powder coated	—
9	Round lock	1	Piece	—	—	Side locks optional
10	M6 screw	12/20	Set	—	—	20pcs for 15U & 18U
11	Allen wrench	1	Piece	—	—	—



Part Number: PL-WMxUzzyy

Dimensions:

Part NO.	Capacity(U)	Width(mm)	Depth(mm)	Height(mm)
PL-WM4U5335	4U	530	350	280
PL-WM4U6045			450	
PL-WM6U6045	6U	600	450	370
PL-WM6U6060			600	
PL-WM9U6045	9U	600	450	500
PL-WM9U6060			600	
PL-WM12U6045	12U	600	450	635
PL-WM12U6060			600	
PL-WM15U6045	15U	600	450	770
PL-WM15U6060			600	
PL-WM18U6045	18U	600	450	900
PL-WM18U6060			600	

