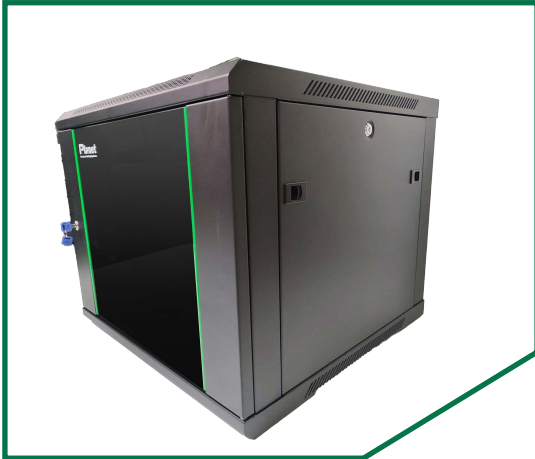


Part Number: PL-WMxUzzyy



FEATURES:

- wall mount cabinet series offers an economical and cost effective solution for branching
- compliant with ANSI/EIA RS-310-D, IEC297-2, DIN41491.Part1, part7, DIN 4144 standards
- easy to install the front door
- cable entry from top and bottom
- up to 60 kgs static loading capacity
- toughened glass front door with over 180° angle
- 24 sets cage nuts (less than 12U : 12 sets)
- available for 2 fans pre-installation on the top cover (optional)

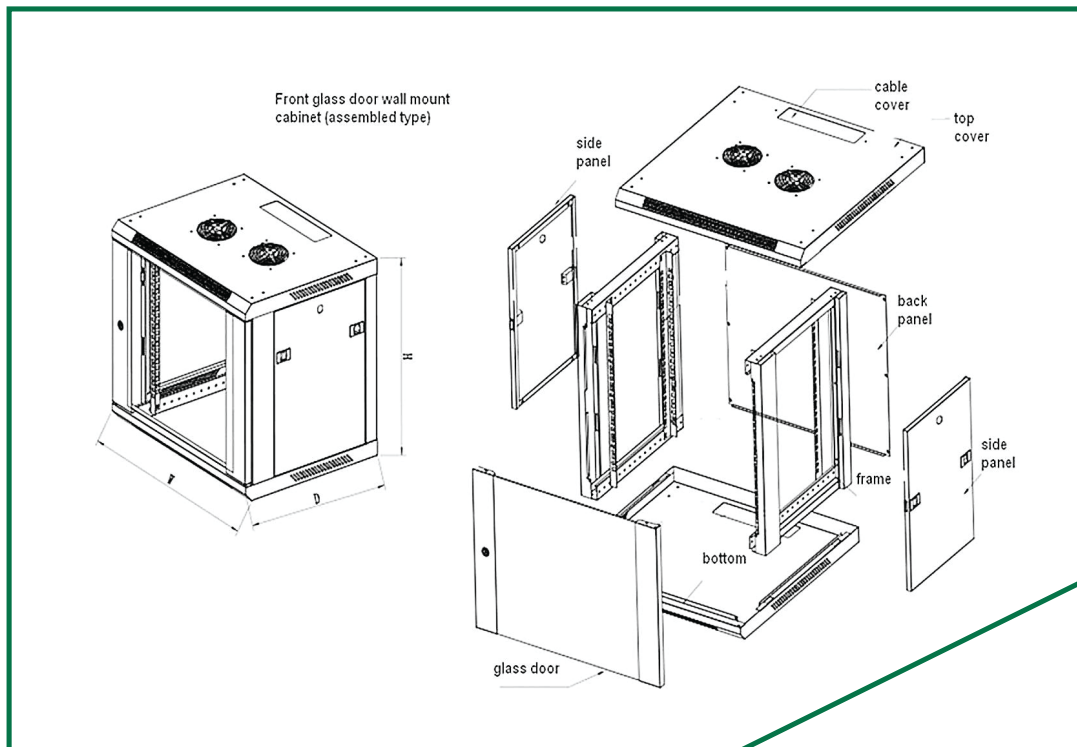
Physical Characteristics (Overall):

| Wall mount network cabinet (single section) | |
|---|---|
| Main Material | SPCC cold rolled steel |
| Thickness | Mounting profile 1.0 or 0.8mm , mounting angle 1.0 or 0.8mm |
| Surface Finish | Degreasing, pickling, phosphoric, powder coated |
| Degree of Protection | IP20 |
| Loading Capacity | Static loading: 60KG |
| Color | Black RAL9004, Grey RAL7035 |

Part Number: PL-WMxUzzyy

Main Parts:

| S/N | Specification | Quantity | Unit | Material | Surface finish |
|-----|------------------|----------|-------|-----------------------------------|----------------|
| 1 | Frame | 2 | Piece | SPCC Cold rolled steel 1.0 or 0.8 | Powder coated |
| 2 | Side panel | 2 | Piece | SPCC Cold rolled steel 1.0 or 0.8 | Powder coated |
| 3 | Back panel | 1 | Piece | SPCC Cold rolled steel 1.0 or 0.8 | Powder coated |
| 4 | Bottom panel | 1 | Piece | SPCC Cold rolled steel 1.0 or 0.8 | Powder coated |
| 5 | Top cover | 1 | Piece | SPCC Cold rolled steel 1.0 or 0.8 | Powder coated |
| 6 | Front glass door | 1 | Piece | 5MM Toughened glass | — |
| 7 | Mounting profile | 4 | Piece | SPCC Cold rolled steel 1.0 or 0.8 | Powder coated |
| 8 | Cable cover | 2 | Piece | SPCC Cold rolled steel 1.0 or 0.8 | Powder coated |
| 9 | Round lock | 3 | Piece | — | — |
| 10 | M6 screw | 12/20 | Set | 20 Set for 15U and 18U | — |
| 11 | Allen wrench | 1 | Piece | — | — |
| 12 | L shape rail | 2 | Piece | SPCC Cold rolled steel 0.8mm | Powder coated |



Part Number: PL-WMxUzzyy

Dimensions For Thickness 1mm :

| P/N | Capacity(U) | Width(mm) | Depth(mm) | Height(mm) |
|--------------|-------------|-----------|-----------|------------|
| PL-WM3U5335 | 4U | 530 | 350 | 280 |
| PL-WM4U5335 | | | 450 | |
| PL-WM4U6045 | | | 450 | |
| PL-WM6U6045 | 6U | 600 | 450 | 370 |
| PL-WM6U6060 | | | 600 | |
| PL-WM9U6045 | | | 450 | |
| PL-WM9U6060 | 9U | 600 | 600 | 500 |
| PL-WM12U6045 | | | 450 | |
| PL-WM12U6060 | | | 600 | |
| PL-WM15U6045 | 12U | 600 | 450 | 635 |
| PL-WM15U6060 | | | 600 | |
| PL-WM18U6045 | | | 450 | |
| PL-WM18U6060 | 15U | 600 | 600 | 770 |
| PL-WM18U6045 | | | 450 | |
| PL-WM18U6060 | | | 600 | |
| PL-WM18U6045 | 18U | 600 | 450 | 900 |
| PL-WM18U6060 | | | 600 | |

Dimensions For Thickness 0.8mm :

| P/N | Capacity(U) | Width(mm) | Depth(mm) | Height(mm) |
|--------------|-------------|-----------|-----------|------------|
| PL-WE3U5335 | 4U | 530 | 350 | 280 |
| PL-WE4U5335 | | | 450 | |
| PL-WE4U6045 | | | 450 | |
| PL-WE6U6045 | 6U | 600 | 450 | 370 |
| PL-WE6U6060 | | | 600 | |
| PL-WE9U6045 | | | 450 | |
| PL-WE9U6060 | 9U | 600 | 600 | 500 |
| PL-WE12U6045 | | | 450 | |
| PL-WE12U6060 | | | 600 | |
| PL-WE12U6045 | 12U | 600 | 450 | 635 |
| PL-WE12U6060 | | | 600 | |