

Part Number: PL-WDxUzzyy



FEATURES:

- compliant with ANSI/EIA RS-310-D, IEC297-2, DIN41491.Part1, part7, DIN 4144 standards
- 19" standard installation, double section welded frame structure.
- Assembled frame structure, easy handling, transportation, to maximize save shipping cost.
- Standing or wall mounting installation.
- Easy operation and maintaining at the back.
- Easy mounting installation (patent).
- Removable side panels, side locks optional.
- Knock out hole for entering cable on both of top cover and bottom panel.
- Toughened glass front door, turning angle is over 180 degrees.
- Turning angle of rear door is over 90 degrees.

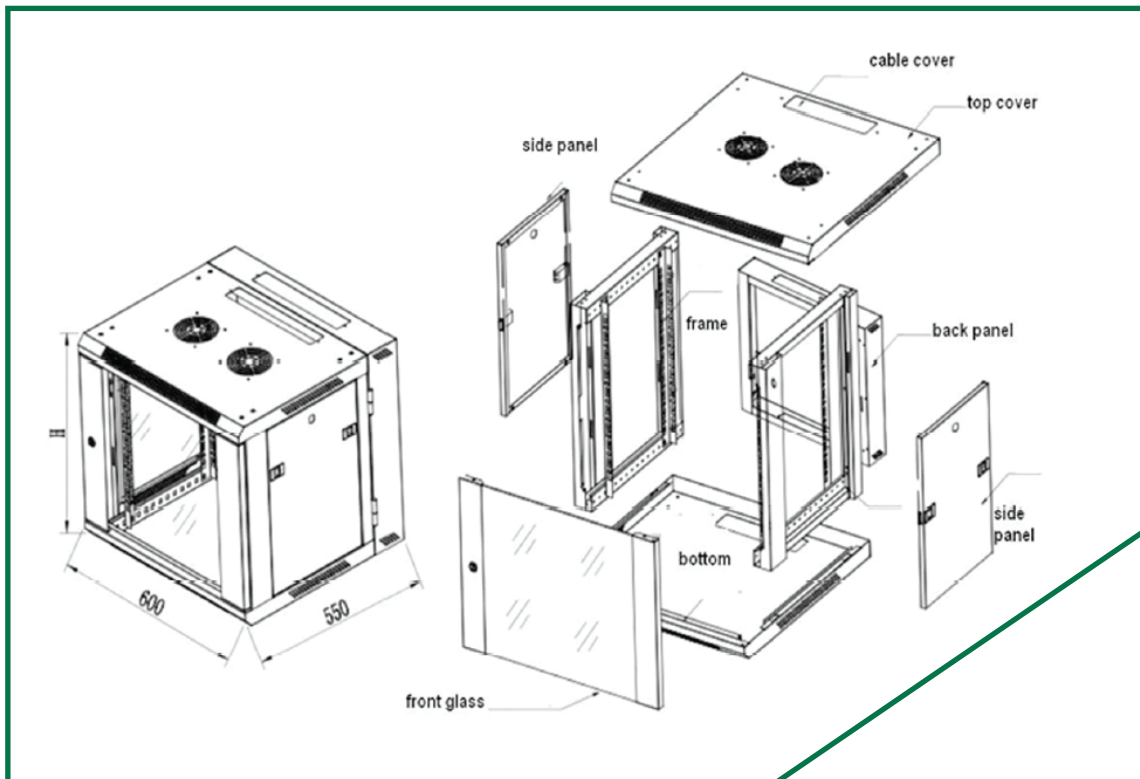
Physical Characteristics (Overall):

Wall mount network cabinet (double section)	
Main Material	SPCC cold rolled steel
Thickness	Mounting profile 1.5mm, mounting angle 1.2mm
Surface Finish	Degreasing, pickling, phosphoric, powder coated
Degree of Protection	IP20
Loading Capacity	Static loading: 60KG
Color	Black RAL9004, Grey RAL7035

Part Number: PL-WDxUzzyy

Main Parts:

S/N	Specification	Quantity	Unit	Material	Surface finish	Remark
1	Frame	2	Piece	SPCC Cold rolled steel 1.2	Powder coated	—
2	Side panel	2	Piece	SPCC Cold rolled steel 1.0	Powder coated	—
3	Back panel	1	Piece	SPCC Cold rolled steel 1.0	Powder coated	—
4	Bottom panel	1	Piece	SPCC Cold rolled steel 1.0	Powder coated	—
5	Top cover	1	Piece	SPCC Cold rolled steel 1.0	Powder coated	—
6	Front glass door	1	Piece	5MM Toughened glass	—	—
7	Mounting profile	4	Piece	SPCC Cold rolled steel 1.5	Powder coated	—
8	Cable cover	2	Piece	SPCC Cold rolled steel 1.0	Powder coated	—
9	Round lock	1	Piece	—	—	Side locks optional
10	M6 screw	12/20	Set	—	—	20pcs for 15U & 18U
11	Allen wrench	1	Piece	—	—	—



Part Number: PL-WDxUzzyy

Dimensions:

Part NO.	Capacity(U)	Width(mm)	Depth(mm)	Height(mm)
PL-WD6U6055	6U	600	550	370
PL-WD6U6060			600	
PL-WD9U6055	9U		550	500
PL-WD9U6060			600	
PL-WD12U6055	12U		550	635
PL-WD12U6060			600	
PL-WD15U6055	15U		550	770
PL-WD15U6060			600	
PL-WD18U6055	18U		550	900
PL-WD18U6060			600	

